

NIMO Submersible Luminaire

IP68

The Nimo is an LED submersible is designed for use in Zone 1 hazardous areas.

Key Features:

- LED light source for low maintenance operation.
- 316 Stainless steel construction for maximum marine protection.
- Submersible to a depth of thirty metres for extended periods.



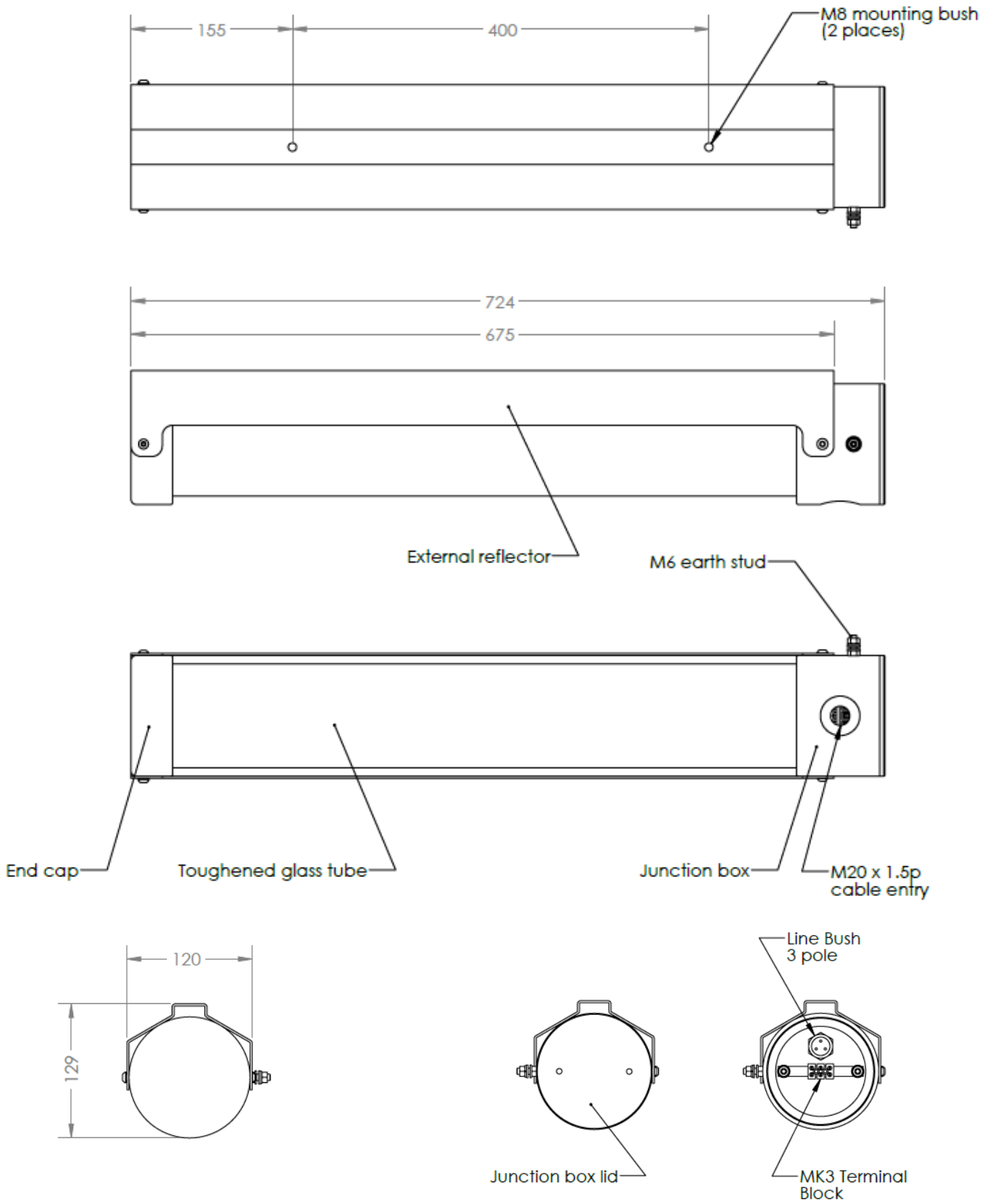
Luminaire Ratings

Product Reference	Lamp Type	Lamp Cap	Power (W)	Temperature Rating	Ambient Temperature*	Weight (kg)
LX1NIMO24L57	LED	N/A	22W	T4	-20°C to 55°C	8.9

Standard Specifications

Luminaire Type	Zone 1 Submersible LED Luminaire
Ingress Protection	IP68 to 30m in accordance with EN60529
Material	316 Stainless Steel with toughened glass diffuser and stainless steel fasteners.
Lamp Types	Pure white LED 5700K
LED Life	50,000 hours L ₇₀ /B ₁₀ @ 25°C
Cable Entry	1 x M20 threaded entry
Terminals	Terminal block for up to 6mm ²
Control Gear	Electronic driver: EN60601-1 (CE), EN61204-3 (EMC), EN61000-4-5 (Surge Protection Class 3)
Supply	110 to 250V 50/60Hz ac dc
Certification	
Area Classification	Zone 1 Gas and Dust
Type of Protection	Ex eb ib qb op is (increased safety, intrinsic safety, quartz filled, optical radiation)
Apparatus Coding	II 2 GD Ex eb ib qb op is IIB T4
Certificate Number	CML 16ATEX3345, IECEx CML 16.0120
Photometric Measurements	
Luminous Flux (lm)	2887 lm
Luminous Efficacy (lm/W)	131 lm/W

Luminaire Dimensions



Accessories

There are no accessories for this product.